

# Pulsar® III-PE



Model Pulsar® III-PE

Ergonomic high-production pressure blast cabinet

*The ZERO Pulsar® III-PE is a high-production, ergonomic blast cabinet designed specifically to enhance productivity and efficiency by offering a safe and comfortable work station for production blast operators. The Pulsar® III-PE makes long production runs much easier by allowing workers to concentrate on achieving the desired surface treatment rather than on their physical discomfort due to long periods of standing.*

## Pulsar® III-PE Pressure Cabinet Features:

### Safety

- Door interlock system interrupts blasting when either door is opened
- Optional time-delay locking system keeps doors locked after blasting stops
- Double-wall, insulated doors, reduce exterior noise
- Industrial-quality lift-off hinges allow easy door removal
- Full-opening doors maximize work chamber capacity and eases loading large parts
- Full-length, neoprene-on-fabric gloves protect operator
- Ceiling light fixture maximizes window view area and offers commanding view of interior

### Productivity

- Unique air logic system maximizes air and media flow for blasting
- ASME-code pressure vessel, 1.0 cu ft capacity, with 1/2" piping
- Industrial-quality, coupled two-braid blast hose and tungsten carbide nozzle
- Reverse-pulse cartridge dust collector evacuates spent media and ensures optimal visibility for blasting; traps 99.7% of dust down to 0.5 micron
- Adjustable chrome latches seal doors tight through years of service

### Convenience

- Tilt-out window allows tool-free glass changes in minutes
- Easy-to-reach pressure regulator, gauge, and electric switch
- Built-in air gun conveniently located inside allows part blow-off inside cabinet

**Clean  
Peen  
Deburr  
Finish  
Prep Surfaces**



## Tungsten Carbide Blast Nozzle

The system comes with a 3/16" orifice a Tungsten Carbide pressure blast nozzle, which consumes 38 cfm of compressed air when blasting at 80 psi. The nozzle's long-wearing properties ensure hundreds of hours of service with glass bead media.

## Popular Accessories

- Alox Kit for Use with Harsh Media
- Air-powered Vertical Lift Doors
- Dust Collector Auto-pulse Kit
- HEPA Filter
- Pass-through Doors
- Rubber Wall Curtains
- Steel Media Kit
- Time-delay Door Locks
- Turntable & Track Assembly

## Common Applications

- Cleaning parts
- Deburring machined parts
- Stripping paint
- Improving surface finish
- Removing carbon build up
- Removing heat scale

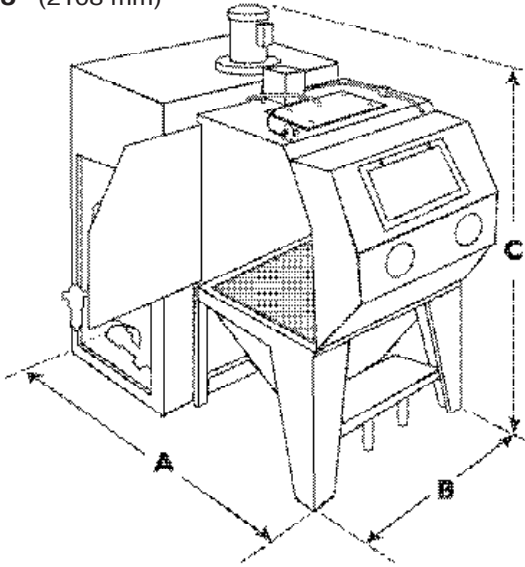
# S P E C I F I C A T I O N S

## COMPLETE SYSTEM

Actual space requirements depend on desired work flow. Allow additional work space for operator and maintenance.

### Pulsar® III-PE

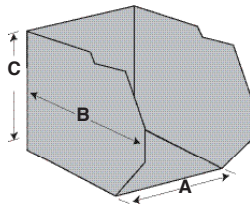
- A. 81" (2057 mm)
- B. 55" (1397 mm)
- C. 83" (2108 mm)



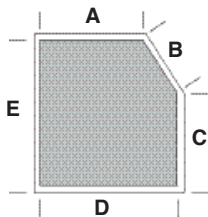
## CABINET

### Working Chamber Size

- A. 36" wide (914 mm)
- B. 35" deep (889 mm)
- plus 12 1/2-inch glove-box extension area
- C. 37" high (940 mm)



### Door Opening



- A. 24" (610 mm)
- B. 17.5" (445 mm)
- C. 19" (483 mm)
- D. 32.5" (826 mm)
- E. 34" (9837 mm)

### Electrical

1HP, 115V, 1PH, 60HZ,  
(.75KW, 220V, 1PH, 50HZ)  
*Some installations may require  
electrical connection  
by a qualified electrician.*

### Window Size (safety glass)

19.5" wide (495 mm)  
12.5" high (318 mm)

## Model Pulsar® III-PE System Description

Heavy-duty 14-gauge cabinet shell, all-welded construction; 12.5" x 19.5" safety-glass view window; fluorescent lighting with dual 20-watt tubes; heavy-duty industrial-quality adjustable chrome latches; unique air-logic system to maximize efficient use of compressed air, provides optimal media reclamation and dust collection; cabinet-mounted reverse-pulse dust collector with 1 HP motor and 195 square feet of filter area; compressed-air filter; pressure regulator; easily removable dust drum for material disposal; 1.0 cu ft capacity ASME-code pressure vessel.

### PRESSURE BLAST AIR REQUIREMENTS

NOZZLE	NOZZLE ORIFICE	CFM at 80 PSI	M <sup>3</sup> /Min at 5,5 BAR	CFM at 100 PSI	M <sup>3</sup> /Min at 7 BAR
No. 2	1/8"	17	0,5	20	0,6
No. 3	3/16"	38	1,08	45	1,3
No. 4	1/4"	68	1,93	81	2,3
No. 5	5/16"	113	3,20	137	4,0

### Reclaimer Flow Rate

**Pulsar® III-PE:** Nominal 600 cfm

### DUST COLLECTOR

Reverse-pulse cartridge dust collector (which traps 99.7% of dust down to 0.5 micron) allows non-stop, high-production blasting. The polyester-cellulose cartridge is pulse cleaned for maximum filter efficiency every time the foot pedal is pressed and released. A dust collector auto-pulse kit is available as an option. Worn cartridge can be replaced in minutes.

### Filtering Area

**Pulsar® III-PE** 195 ft<sup>2</sup> (18,1m<sup>2</sup>)

Dust concentration in exhausted air is nominally 5.0 mg/m<sup>3</sup>. For especially dust sensitive work environments, order the optional HEPA filter.

## ORDERING INFORMATION

Model	Stock No.	Shipping Weight lb kg
Pulsar® III-PE	24745	974 (442)

Distributed By:

Clemco is committed to continuous product improvement. Specifications are subject to change without notice.

ISO 9001:2008 certified.