



**CLEMCO**  
The Performance  
System

## TECHNICAL DATA SHEET

*Note: For safe, efficient blasting, read and follow the owner's manual and seek training for everyone who will use this equipment.*

### Purpose

High-performance blast cleaning system removes corrosion, mill scale, and coatings from most surfaces. Produces a uniform surface texture, and creates a surface profile to increase bonding for coatings. See related literature for additional applications. Machine holds 2 cubic feet of abrasive for up to 30 minutes of continuous blasting at 100 psi with standard No. 4 nozzle ( $1/4$ -inch orifice).

### Requirements for Operation

These items are required but not included with this equipment.

- Clean, dry, compressed air of sufficient volume to maintain desired pressure at the nozzle. See Air Consumption Chart in Blast Off 2 booklet.
- Maximum working pressure 150 psi
- Minimum pressure 30 psi needed to operate OSHA-required remote control valves
- NIOSH-approved supplied-air respirator
- Grade D breathing-air supply as defined by the Compressed Gas Association Commodity Specification: G-7.1 ([www.cganet.com](http://www.cganet.com))
- Abrasive blast media - consult abrasive supplier for appropriate media for your application
- Blast suit and work boots

### Description of Operation

The operator controls blasting from a remote control handle at the nozzle. Pressing the handle starts blasting, releasing it stops blasting. The blast machine contains abrasive and meters it into the compressed air stream.

## Description

Field portable, high-production, single-chamber blast machine, rated at 150 psi, (for one operator). Holds 2 cubic feet of blast media. Equipped with Millennium pneumatic remote controls and Quantum manual metering valve.

## 2 Cu Ft Contractor Blast Machine

Stock No. 21490



### Advantages

- Rated for 150-psi maximum working pressure
- $1\frac{1}{2}$ -inch Millennium valve provides unrestricted air flow
- Quantum metering valve maintains smooth, consistent flow, adjustment knob allows precise control of media flow
- 29-inch width fits through standard doorways
- Two-wheel integral cart for ease of moving
- Robust handles act as skid for loading machine into pickup or trailer and protect valves and piping from damage.
- Central hookup point for blast hose and remote controls
- Weather-resistant storage area holds manuals, paperwork and small parts

### Approvals and Certifications

Blast machine pressure vessel built to American Society of Mechanical Engineers (ASME) code for 150-psi working pressure. Vessel is hydrostatically tested and National Board certified.

Remote control system complies with OSHA regulation 1910.244 (b).

## Related Clemco Literature

Description	Stock No.
Contractor Series Catalog .....	21385
Abrasive Blasting Safety Practices .....	22090
Blast Off 2 .....	09294
Contractor Blast Machine Owner's Manual .....	21939

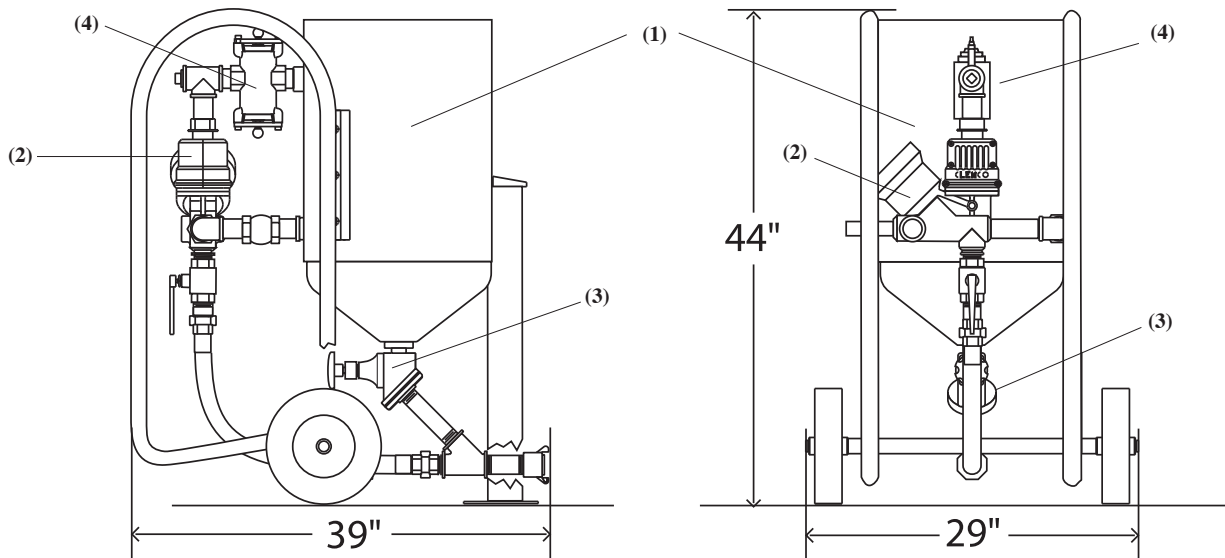
## Options & Accessories

Description	Stock No.
Blast machine cover, 16" .....	02335
Blast machine screen, 16" .....	03099
Supa blast hose, 1" x 50 ft, coupled w/NHP-1 & CQPS-1 ...	23480
TMP-4 nozzle.....	23520
1" air filter/moisture separator w/manual drain .....	22424
Blast hose safety cable .....	15013
Apollo 600 HP DLX respirator, Clem-Cool air conditioner, and 50 ft x 3/8" respirator hose.....	25208
CPF-20 air filter w/pressure regulator & gauge .....	03578
Carbon monoxide alarm, CMS-3 pkg .....	24612
Heavy cotton/leather blast suit S (08920), M (08921), L (08922), XL (08923), 2XL (24201), 3XL (24202)	

Item Description	Stock No.
Seasonal cotton/nylon blast suit S (22913), M (22914), L (22915), XL (22916), 2XL (22917), 3XL (25022), 4XL (24689)	
Leather gloves .....	02243

## Included with Stock No. 21490

Item Description	Stock No.
1. 2 cu ft contractor blast machine.....	21490
2. 1 1/2" Millennium valve.....	21336
3. Quantum abrasive metering valve .....	22845
4. Abrasive trap .....	02011
(-) RLX pneumatic handle.....	10565
(-) 50 ft twinline hose .....	01951



Nominal Dimensions	Unit	Shipping (including skid)
Height (floor to highest point):	44"	49"
Width (outside hub to hub):	29"	35"
Length (hose cplg. to handle):	39"	40"
Machine diameter:	16"	
Net weight:	258 lb	
Shipping Volume:		39.7 cu ft
Shipping Weight:		326 lb

Authorized Distributor:

## Packaging

Secured on skid and shrink wrapped

ISO 9001 certified. Clemco is committed to continuous product improvement. Specifications are subject to change without notice.

© 2014 Clemco Industries Corp. • One Cable Car Drive • Washington, MO 63090 • Phone (636) 239-4300 • Fax (800) 726-7559